



## **markilux** 720 / 820

**The vertical cassette blind with guide rails, making fixture possible without any additional brackets**

**rated to wind resistance class 2  
(corresponds to Beaufort 5)**



side view  
markilux 720



side view  
markilux 820



square cassette  
markilux 720



round cassette  
markilux 820



reveal fixture  
square cassette  
markilux 720



reveal fixture  
round cassette  
markilux 820

### Design Features

vertical blind, complete protection from the sun and inquisitive glances

the markilux 720: compact, square and discreet, the cassette profile made of extruded aluminium is only 95 mm in height

for long-lasting attractiveness the blind has been powder coated

when closed the awning cover is protected from the weather by the fully encompassing cassette

### Technical Specification

robust, self-supporting cassette made of extruded aluminium

operation by means of a smooth gearbox and universal joint

also available as a coupled unit to span large widths

extremely sturdy, stainless steel side cheek, sheathed in plastic and powder coated

the blind cover is guided along sturdy, aluminium guide rails

### Optional Accessories

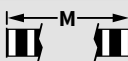
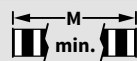



hard-wired motor operation (optionally with automatic weather controls) for straightforward and easy operation

radio-controlled motor with radio remote control for ease of use

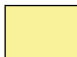
an easily installed, radio control light and wind sensor guarantees comfort and a degree of safety – even in your absence

handle for interior operation. Manual operation from inside the room

### Dimensions and configuration options

									
		75	100	150	200	250	300		
		71 75	76 100	101 150	151 200	201 250	251 300		
	120							74.5	73.5
	160								
	200								
	250								
	300								
	350								

dimensions in cm

 = available

#### Operation / Drive unit

	standard	optional
winding handle operation	<input checked="" type="checkbox"/>	—
interior operation	—	<input checked="" type="checkbox"/>
operation from the rear	—	<input checked="" type="checkbox"/>
hard-wired motor	—	<input checked="" type="checkbox"/>
io radio-controlled motor	—	<input checked="" type="checkbox"/>
radio-controlled motor (433 MHz)	—	<input checked="" type="checkbox"/>

#### Covers

	fabric range no.	standard	optional
sunsilk snc	324 xx / 328 xx / 369 xx	<input checked="" type="checkbox"/> 1)	—
sunvas snc	310 xx / 311 xx 313 xx — 315 xx	<input checked="" type="checkbox"/> 1)	—
sunsilk perla FR	374 xx	—	<input checked="" type="checkbox"/> 2)
transolair	338 xx	—	<input checked="" type="checkbox"/> 4)
perfortex	332 xx	<input checked="" type="checkbox"/> 2)	—
vuscreen ALU	317 xx	—	<input checked="" type="checkbox"/> 3)
vuscreen FR	318 xx	—	<input checked="" type="checkbox"/> 3)
sunvas perla	370 xx	—	<input checked="" type="checkbox"/> 2)

- 1) in the case of the markilux 720 up to a maximum unit height of 300 cm; from a certain height the cover will be made with horizontal panels
- 2) in the case of the markilux 720 up to a maximum unit height of 250 cm
- 3) only up to a width of 252 cm; in the case of the markilux 720 only seamless and up to a maximum unit height of 250 cm
- 4) cover seamless; from an overall blind width of 261 cm and a unit height of 248 cm with horizontal seam

#### Coupled units


	standard	optional
2 fields	—	<input checked="" type="checkbox"/>


#### Dimensions and tolerances

	width	drop
housing tolerances	+5 / -10 mm	
blind cover width = blind width	-90 mm	
blind cover length = unit height		± 0 mm

#### Miscellaneous

	standard	optional
light and wind sensor	—	<input checked="" type="checkbox"/>

 = hard-wired motor

 = radio-controlled motor (433 MHz)





**M** = overall blind width

**M min.** = minimum widths

**AH** = unit height

01  
02  
03  
04  
05  
06  
07  
08  
09  
10  
11  
12  
13  
14  
15  
16  
17  
18  
19  
20  
21

**Frame colours**

		standard	optional
traffic white	RAL 9016		
metallic aluminium	RAL 9006		
grey brown, similar to	RAL 8019		
non-standard powder-coated finish			

Colours similar to those in the RAL chart. Colours may differ slightly from those depicted in both hue and finish.

**Additional information**

The width of the blind cover is always **less** than that of the blind. Please ask us about the cover sizes of coupled units.

**Standard manual operation** with bayonet fitting and universal joint made of stainless steel is operated from outside the building (winding handle lengths 110, 140, 160, 180 or 220 cm).

**Manual interior operation** with universal joint: This operation type requires exact fixture, usually means high (labour) costs for the end consumer and can only be employed on single units. We therefore recommend the use of a radio-controlled motor.

**Manual operation** using a universal joint and **from the rear:** This operation type should be used in installations when the system can be approached from the rear (e.g. on balconies).

In the case of **manual operation** it takes approximately 24 turns per metre of overall unit height to extend the system.

In the case of **motor operation** the awning will take approx. 15 seconds per metre to extend.

**N.B.!** If the **motor is used continuously** it will stop automatically after 3 to 4 minutes **to prevent overheating**.

In the case of **a bank of awnings operating simultaneously**, the same speed of rotation of the motors cannot be guaranteed because of the internal tolerances of the motors.

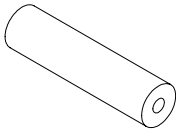
Coupled units are only available with motor (surcharge). The maximum coupled unit width is 2 × 300 cm.

In the case of asymmetrical coupled units, the larger field may be no more than twice as large as the smaller field.

Depending on the size of the blind, deflection may be in evidence in individual profiles and sections of profile which is completely unavoidable. This affects neither the functionality nor the durability of the awning.

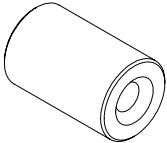
**Fixtures, fittings and accessories**

**markilux 720 / 820**



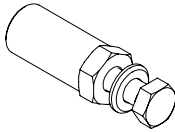
spacer tube for stand-off fixture  
30 × 10 × 1000 mm  
**N.B!** max. stand-off distance = 120 mm

**701668**



spacer for reveal fixture  
18 × 5.75 × 28 mm

**78643.**



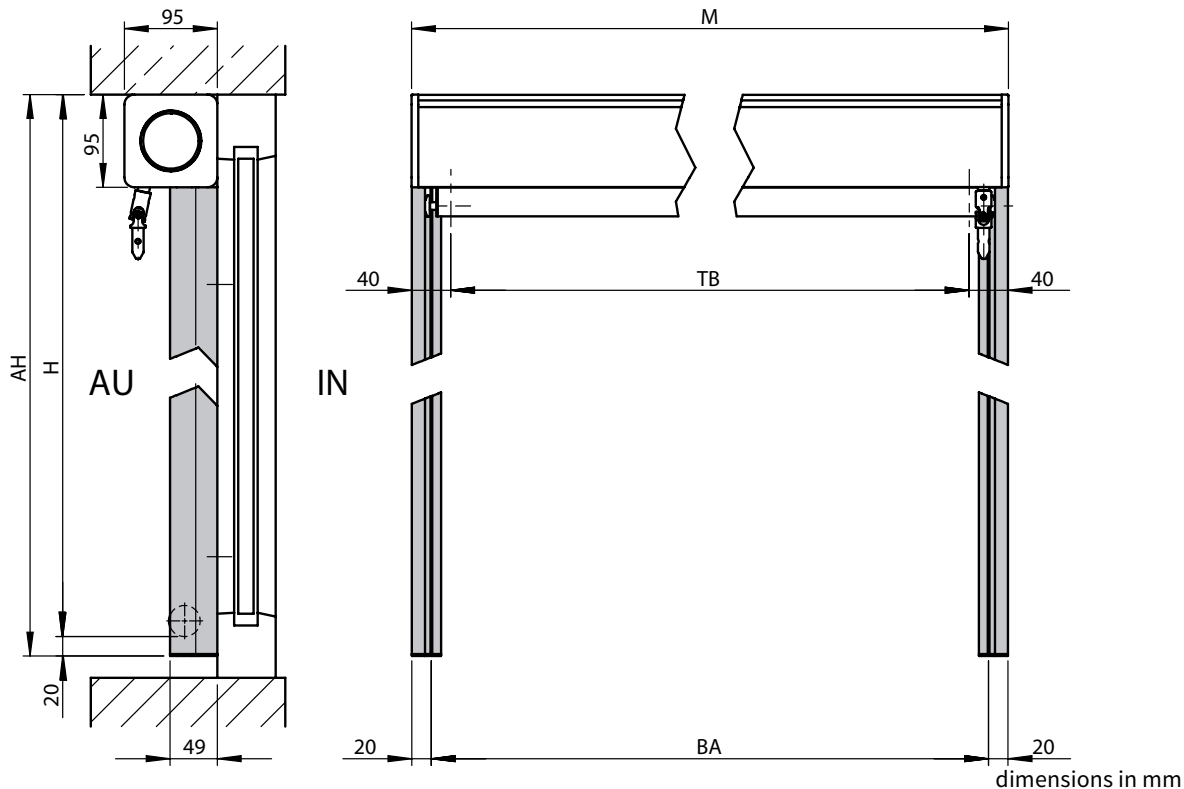
reducing bolt assembly M 10 → M 6 / SW 13  
30 mm length  
refer to the section "Technical Information"

**753211.**

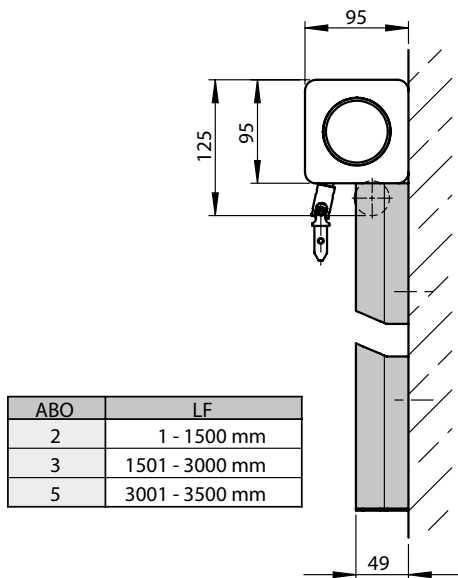
. = insert RAL colour code no.

# Dimension overview and installation markilux 720

## Dimension overview

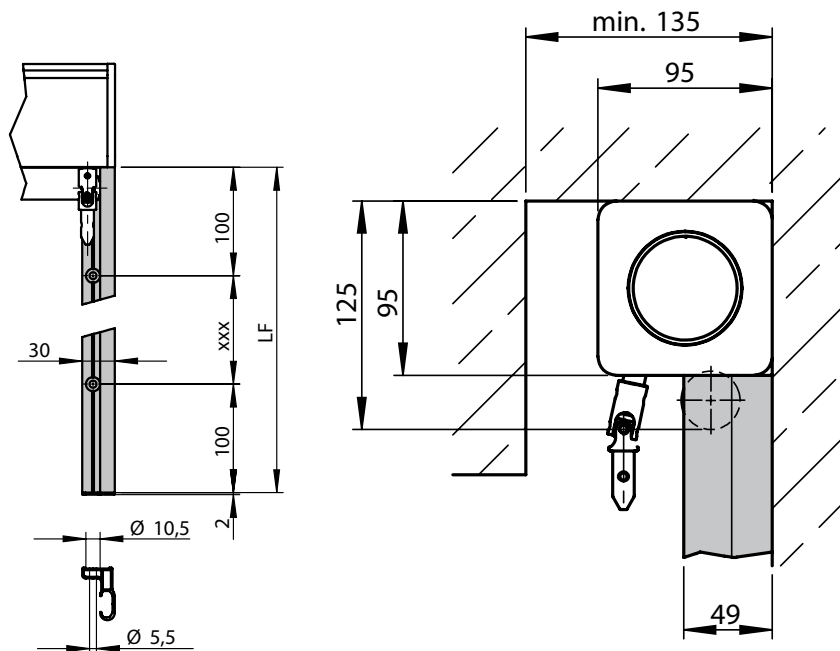


## Face fixture



ABO	LF
2	1 - 1500 mm
3	1501 - 3000 mm
5	3001 - 3500 mm

## Reveal fixture



dimensions in mm

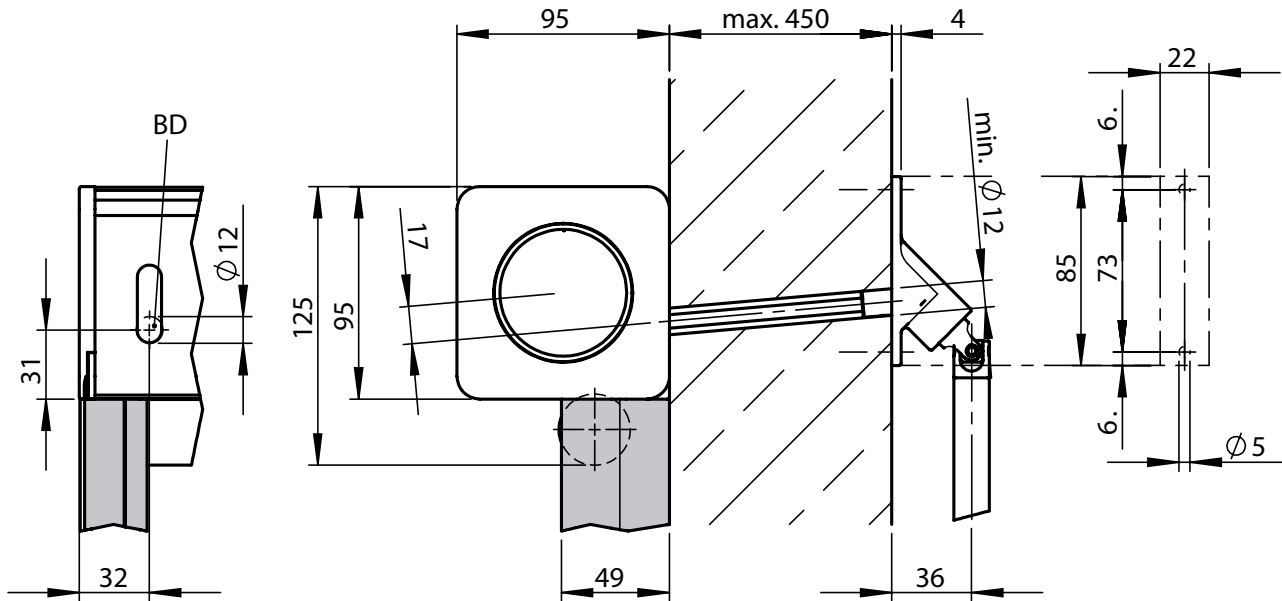
AH = unit height  
 H = drop  
 AU = exterior  
 IN = interior  
 M = overall blind width

TB = cover width  
 BA = width between fixture points  
 ABO = number of drill holes  
 LF = length of guide rail  
 xxx = even drill hole distribution

- 01
- 02
- 03
- 04
- 05
- 06
- 07
- 08
- 09
- 10
- 11
- 12
- 13
- 14
- 15
- 16
- 17
- 18
- 19
- 20
- 21

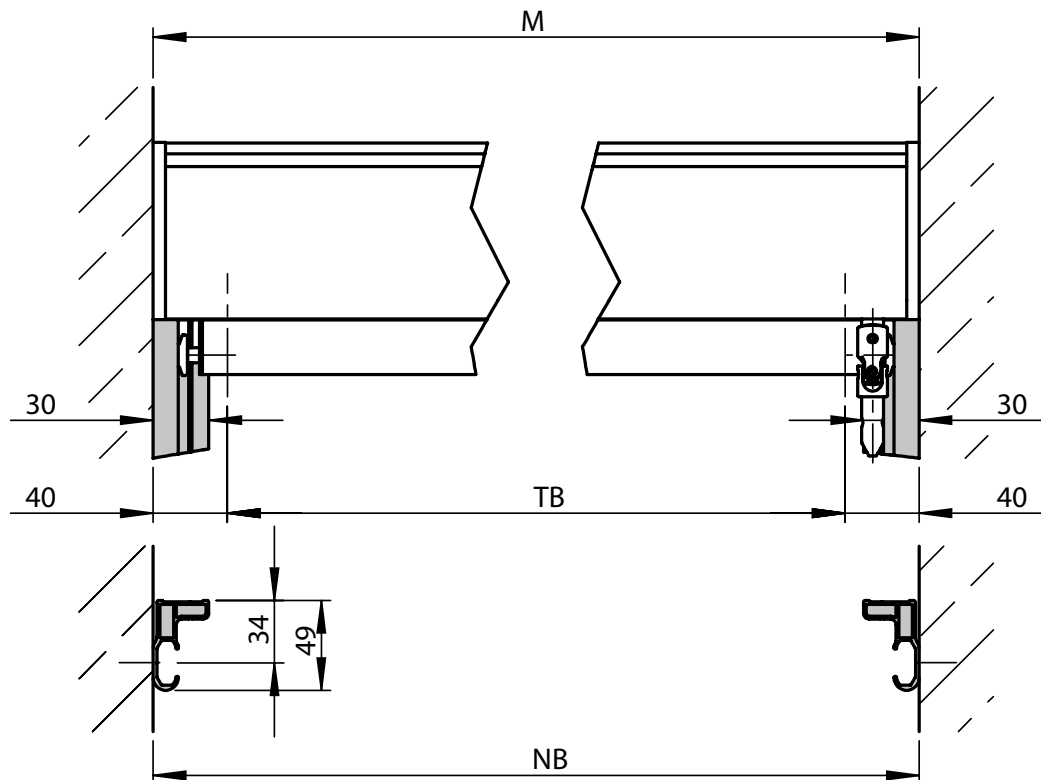
# Installation markilux 720

Face fixture with interior operation



dimensions in mm

Reveal fixture in the case of gearbox / motor operation

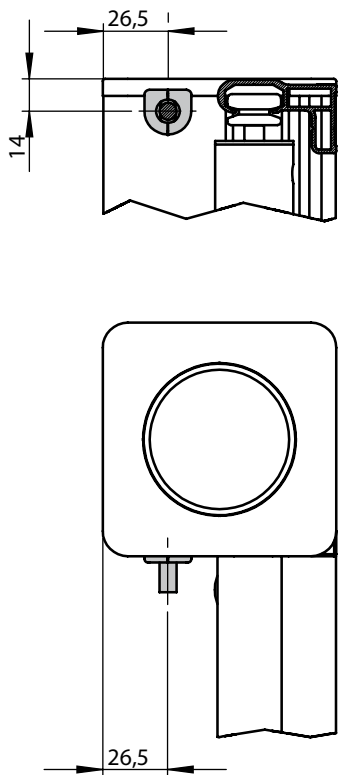


dimensions in mm

- M = overall blind width
- TB = cover width
- NB = reveal width
- BD = horizontal drill hole

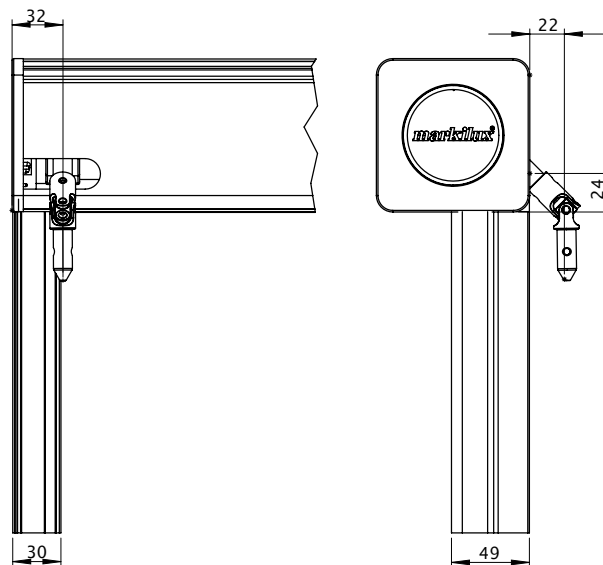
# Installation markilux 720

Cable exit point in the case of motor-driven units



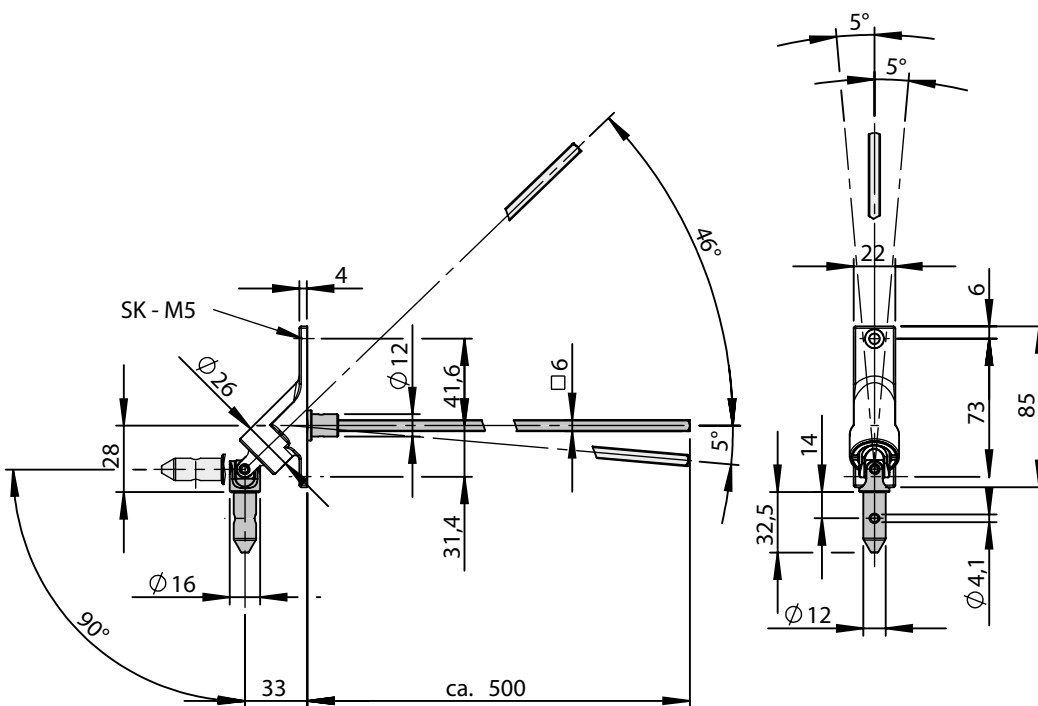
dimensions in mm

Operation from the rear



dimensions in mm

Winding handle for interior operation Ø 16 mm up to a vertical angle of 90° and a horizontal angle of 5°



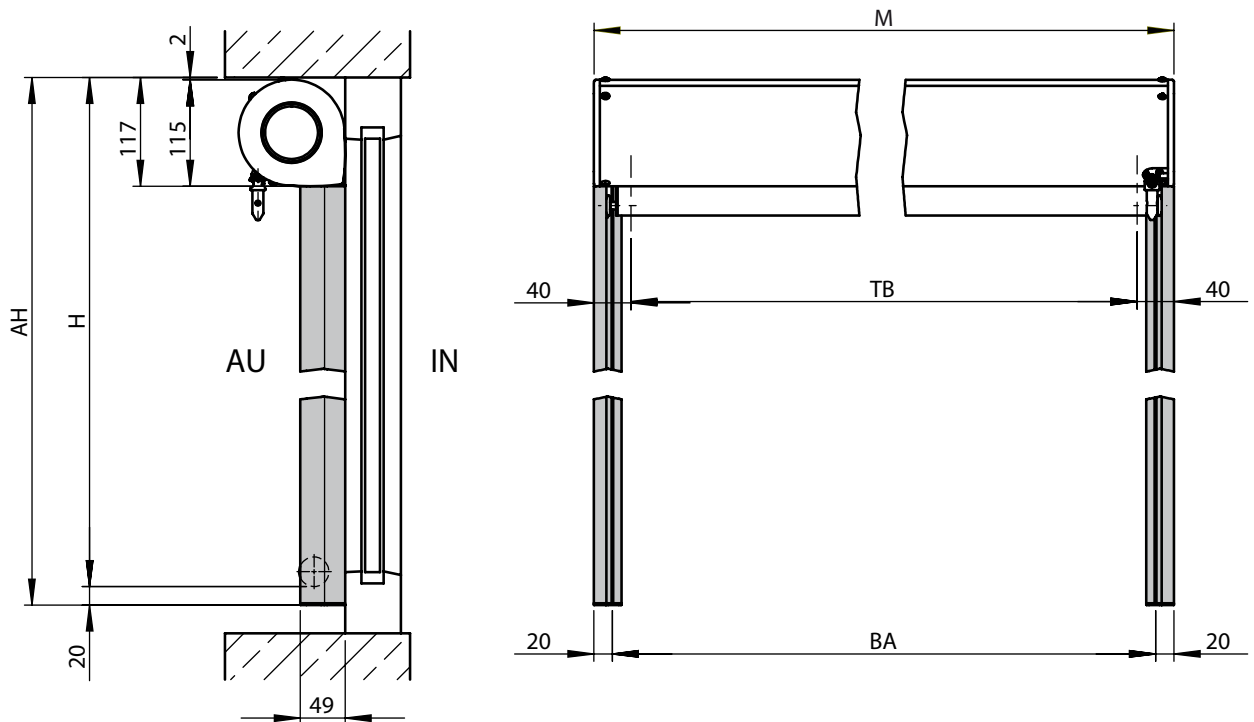
dimensions in mm

SK = chase out depth

- 01
- 02
- 03
- 04
- 05
- 06
- 07
- 08
- 09
- 10
- 11
- 12
- 13
- 14
- 15
- 16
- 17
- 18
- 19
- 20
- 21

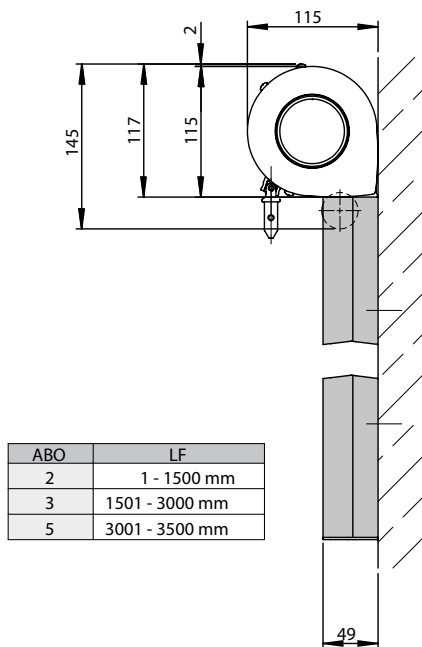
# Overview of dimensions and installation markilux 820

## Dimension overview



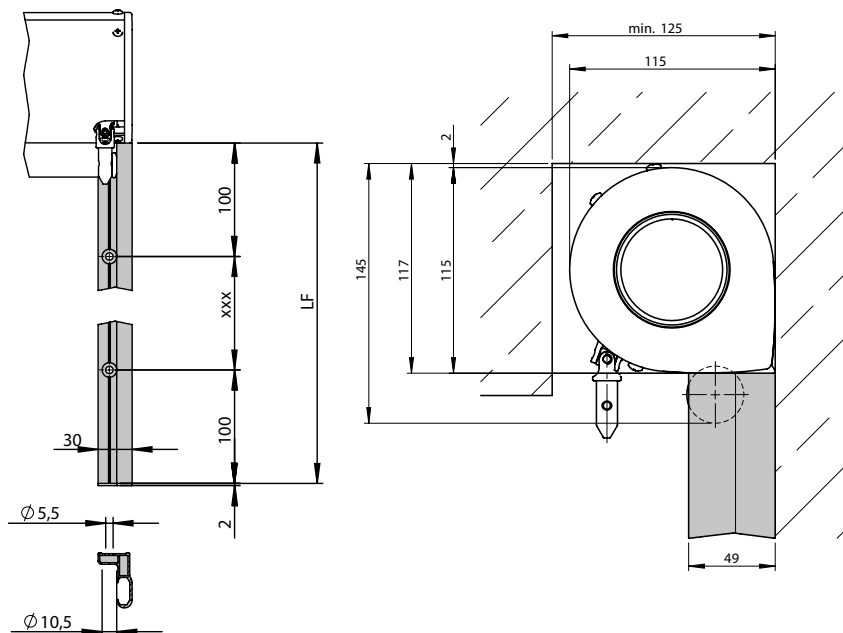
dimensions in mm

## Face fixture



ABO	LF
2	1 - 1500 mm
3	1501 - 3000 mm
5	3001 - 3500 mm

## Top and reveal fixture



dimensions in mm

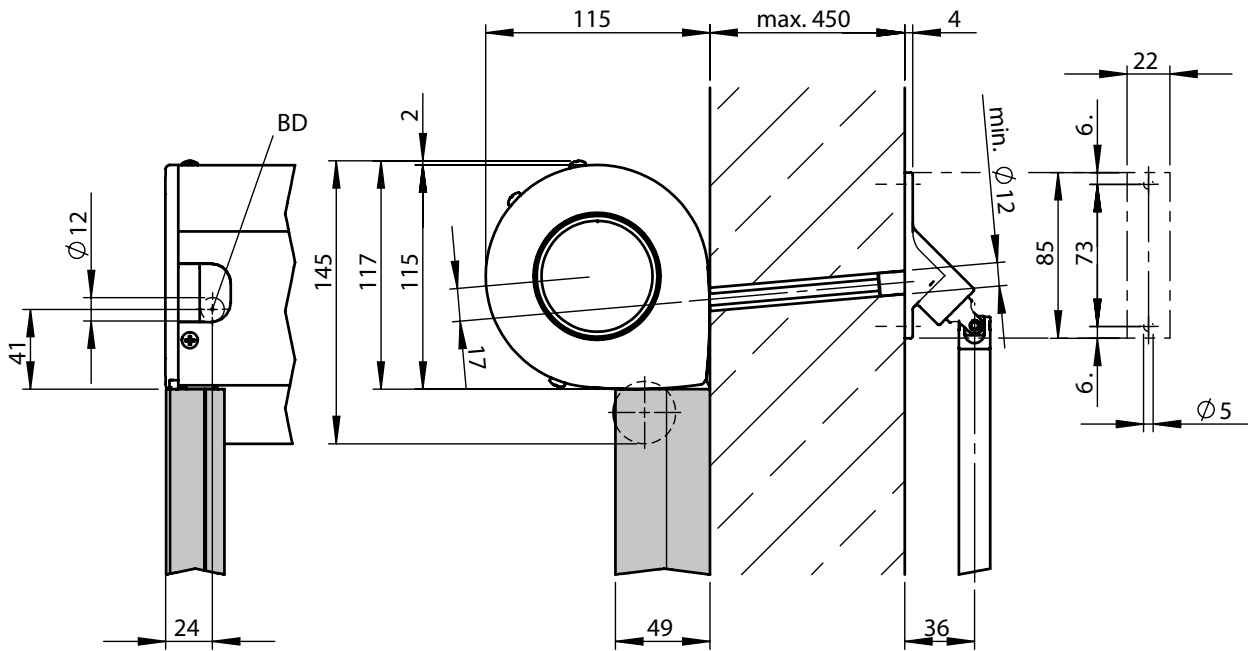
- AH = unit height
- H = drop
- AU = exterior
- IN = interior
- M = overall blind width

- TB = cover width
- BA = width between fixture points
- ABO = number of drill holes
- LF = length of guide rail
- xxx = even drill hole distribution



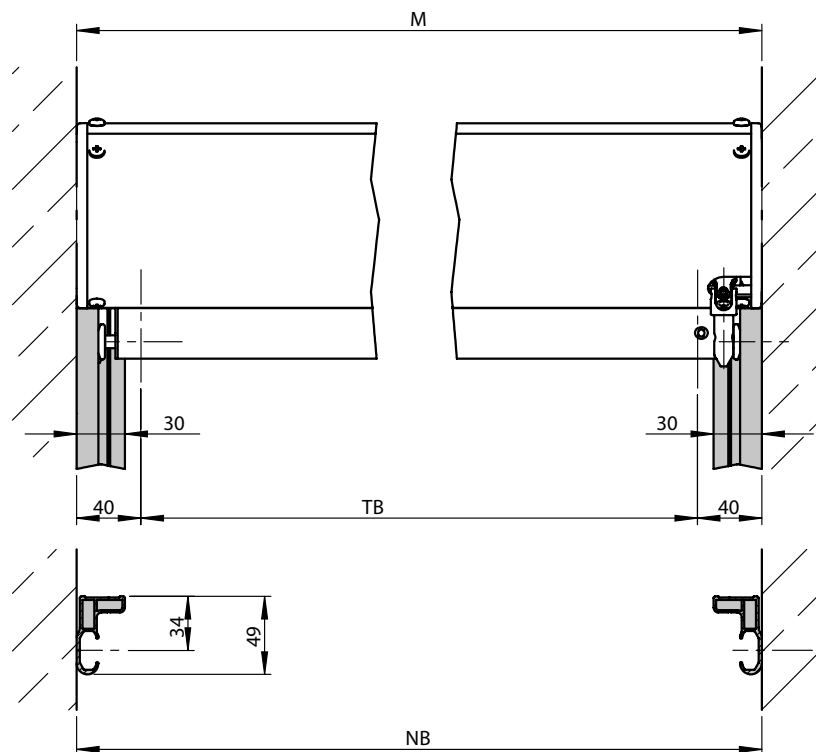
# Installation markilux 820

Face fixture with interior operation



Reveal fixture in the case of gearbox / motor operation

dimensions in mm



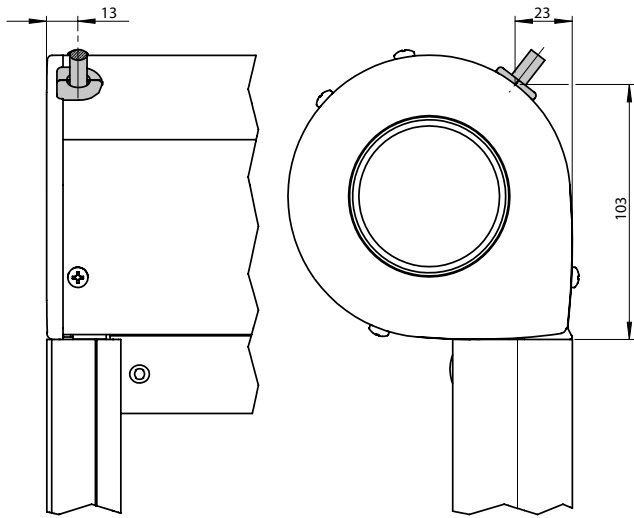
dimensions in mm

- M = overall blind width
- TB = cover width
- NB = reveal width
- BD = horizontal drill hole

- 01
- 02
- 03
- 04
- 05
- 06
- 07
- 08
- 09
- 10
- 11
- 12
- 13
- 14
- 15
- 16
- 17
- 18
- 19
- 20
- 21

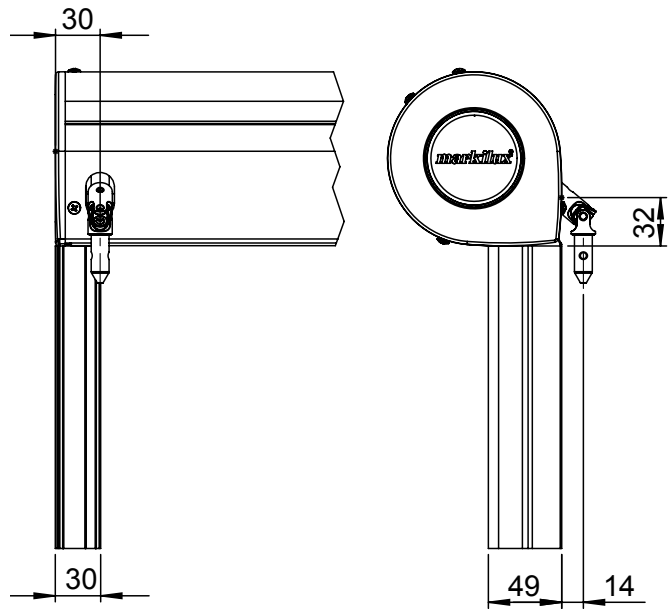
# Installation markilux 820

Cable exit point in the case of motor-driven units



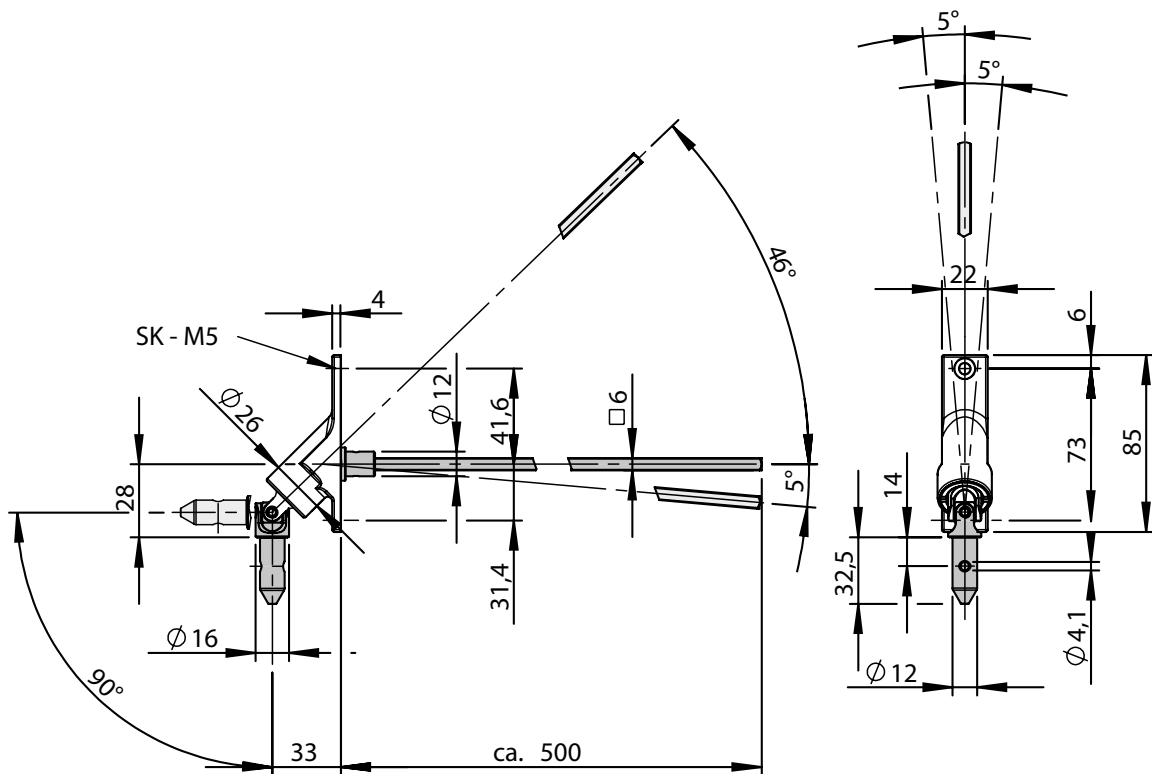
dimensions in mm

Operation from the rear



dimensions in mm

Winding handle for interior operation  $\varnothing 16$  mm up to a vertical angle of  $90^\circ$  and a horizontal angle of  $5^\circ$



dimensions in mm

SK = chase out depth