



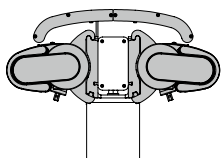
## **markilux** syncra 2 fix / syncra 2 uno fix with Folding-arm Awnings

Stylish solar shading and weather protection for large areas  
Sleek and slender – the free-standing awning frame system for  
markilux folding-arm awnings

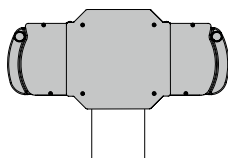
rated to wind resistance class 2  
(corresponds to Beaufort 5)

## markilux syncra 2 fix

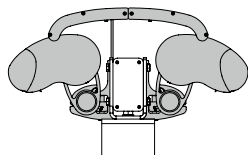
with two folding-arm awnings



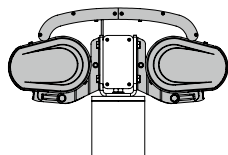
markilux 990



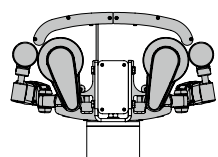
markilux 3300



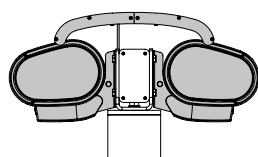
markilux 1500 / 1650 /  
1600 / 1600 stretch



markilux 5010



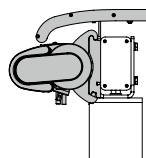
markilux 1700 / 1710



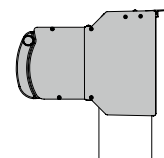
markilux 6000

## markilux syncra 2 uno fix

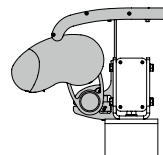
with one folding-arm awning



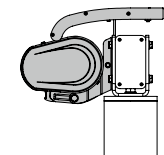
markilux 990



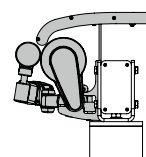
markilux 3300



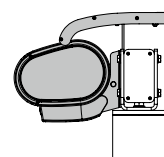
markilux 1500 / 1650 /  
1600 / 1600 stretch



markilux 5010



markilux 1700 / 1710



markilux 6000

### Design Features

sturdy, free-standing awning frame system in a contemporary design

rounded support posts reflect the design style of the markilux folding-arm awnings

the appearance of the markilux syncra 2 harmonises perfectly with the design of the various awning models

a post-free area under the awning

protection from the sun and rain in open spaces (water drainage guaranteed by the 15° pitch, at which the folding-arm awnings are permanently set)

### Technical Specification

free-standing awning frame system with two round support posts for markilux folding-arm awnings (in the case of the syncra 2 fix, two folding-arm awnings, in the case of the syncra 2 uno fix, one folding-arm awning)

also available as a markilux syncra 2 fix with one support post and wall fixture to one side

independent use of the individual awnings

simple fixture of the awning stand to a concrete foundation

especially well suited to properties, to which it is technically difficult to fit an awning (uneven façade) or even impossible (substrate inadequate)

delivery includes the top coverboard

### Optional Accessories

polyester powder coating in non-standard colours is available to individual order (prices on request, longer lead time)

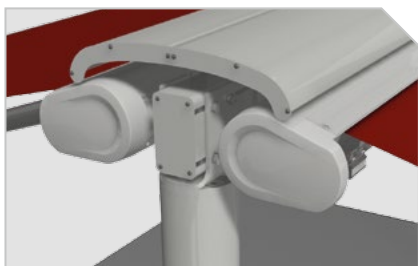
folding-arm awnings are optionally available with hard-wired or radio-controlled motor with markilux remote control

for individual awning model descriptions as well as optional accessories and bespoke options please consult the current markilux sales documentation for markilux patio & balcony awnings

**markilux syncra 2 fix**

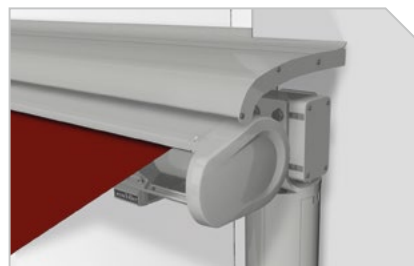
with two folding-arm awnings

coverboard system – illustrated by way of the markilux 5010



**markilux syncra 2 uno fix**

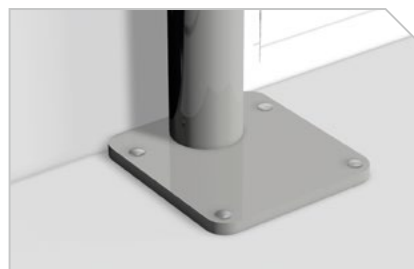
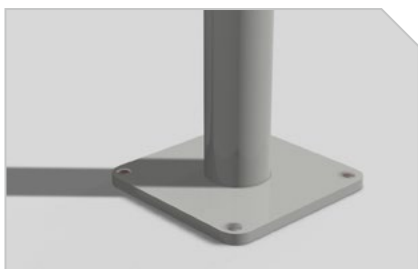
with one folding-arm awning



internal cavity for convenient storage and protection of any cabling



base plates to be bolted to a concrete foundation



the new cross member enables flexible bracket fixture and consequently easy installation of any markilux folding-arm awning

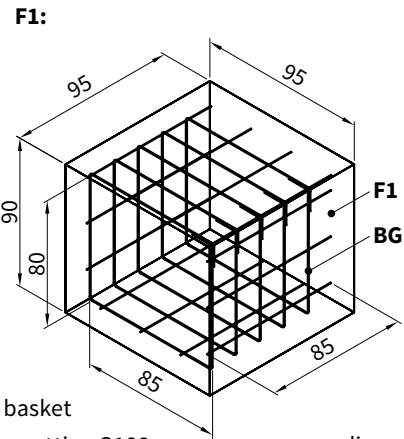
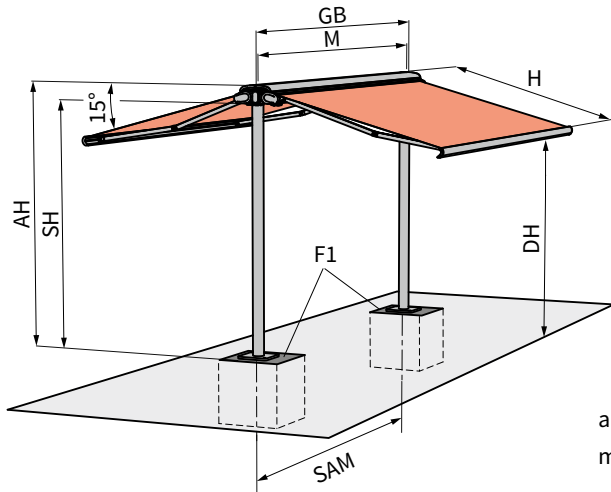
illustrated by way of example with the face fixture bracket of the markilux 6000

**For configuration options, colours and dimensions please consult the relevant sections of the sales manual for each individual awning type.**

01  
02  
03  
04  
05  
06  
07  
08  
09  
10  
11  
12  
13  
14  
15  
16  
17  
18  
19  
**20**  
21  
22  
23

## Installation dimensions

syncra 2 fix with two markilux folding arm awnings / single units

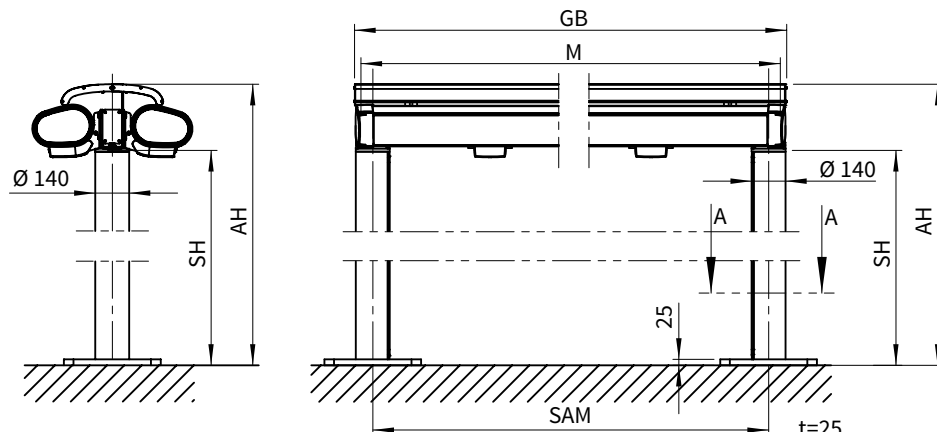


armour matting basket  
made from rebar matting Q188

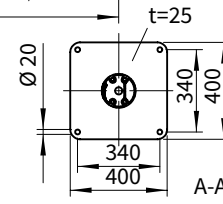
dimensions in cm

### The following have to be prepared on site as per the drawing for every post:

- a concrete base of armoured concrete with a compressive strength of C25/30 (previously known as B25) using armour matting Q188 (F1)
- the base plate is to be fixed using Fischer marine-grade stainless steel anchor bolts FAZ II 16/50 and washers certified to DIN 9021 (or equivalent)
- take into account the bracket fixture range of each individual awning type when determining the post separation on site! The support posts of the syncra frame system cannot be fixed in this area. The post separation, centre to centre, can be moved inwards by up to 15% of the awning width: **minimum SAM = M - 15%**



	AH	SAM	GB	DH				
markilux 6000	3400	M - 140	M	2930	2790	2660	2520	2390
markilux 5010								
markilux 3300	3420	M - 162		2920	2780	2650		-
markilux 990		M - 440						-
markilux 1700 / 1700 stretch								2430
markilux 1710 / 1710 stretch								-
markilux 1600 / 1600 stretch / 1650	3480	M - 140		2970	2830	2700	2560	2430
markilux 1500							-	
				2000	2500	3000	3500	4000
				H				

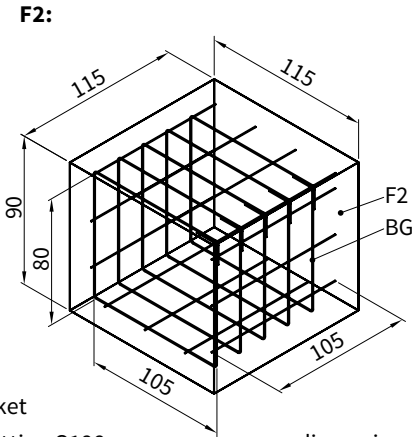
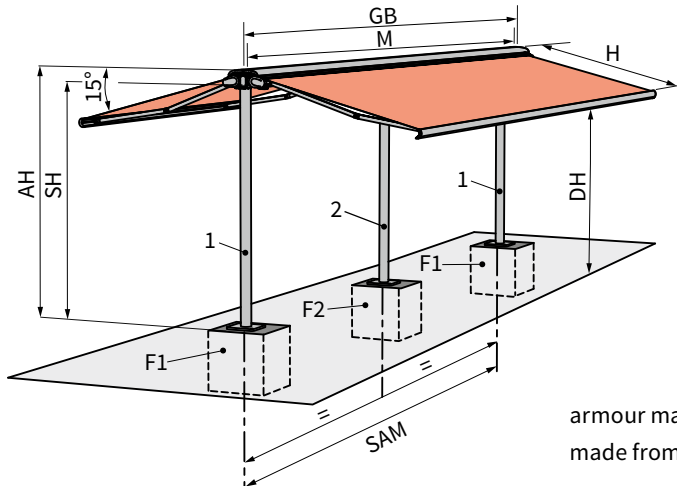


dimensions in mm

- M = awning width = order width of the folding-arm awning
- GB = overall width of the syncra unit\*
- H = projection\*
- AH = unit height\*
- DH = headroom\* (dimensions rounded)
- SAM = post separation, centre to centre\*
- F1 = concrete foundation with armour matting basket
- BG = armour matting basket
- t = thickness of the base plate
- SH = post height = 3200 mm

\* depends on the awning model

**Installation dimensions** syncra 2 fix with two markilux folding-arm awnings / coupled folding-arm awnings / 2 or 3 fields may be possible depending on the awning model

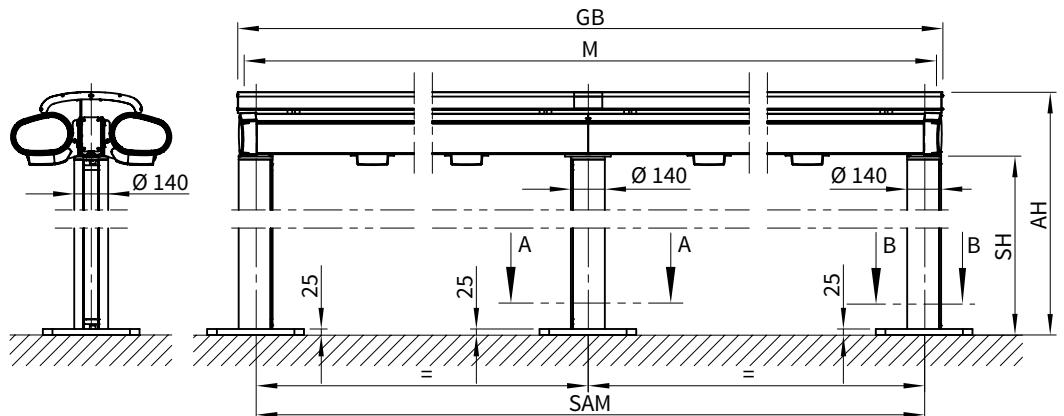


armour matting basket made from rebar matting Q188

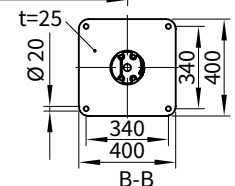
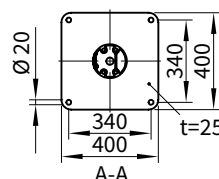
dimensions in cm

**The following have to be prepared on site as per the drawing for every post:**

- a concrete base of armoured concrete with a compressive strength of C25/30 (previously known as B25) for the outermost posts (F1, see single unit) and the central posts (F2) using armour matting Q188
- the base plates are to be fixed using Fischer marine-grade stainless steel anchor bolts FAZ II 16/50 and washers certified to DIN 9021 (or equivalent)
- take into account the bracket fixture range of each individual awning type when determining the post separation on site! The support posts of the syncra frame system cannot be fixed in this area. The post separation, centre to centre, can be moved inwards by up to 15% of the awning width: **minimum SAM = M - 15%**



	AH	SAM	GB	DH				
markilux 6000	3400	M - 140	M	2930	2790	2660	2520	2390
markilux 5010	3420			2920	2780	2650	2510	2380
markilux 3300		M - 162		-	-	-	-	2430
markilux 1700 / 1700	3480	M - 140		2970	2830	2700	2560	2430
markilux 1600 / 1650				-	-	-	-	-
markilux 1500				-	-	-	-	-
				2000	2500	3000	3500	4000
				H				



dimensions in mm

- M = awning width = order width of the folding-arm awning
- GB = overall width of the syncra unit\*
- H = projection\*
- AH = unit height\*
- DH = headroom\* (dimensions rounded)
- SAM = post separation, centre to centre\*
- F1 = outermost concrete base with armour matting basket (see F1: single units)
- F2 = central concrete base with armour matting basket
- BG = armour matting basket
- t = thickness of the base plate
- 1 = outer post
- 2 = central post
- SH = post height = 3200 mm

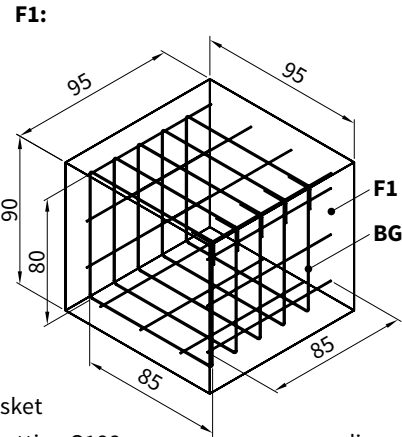
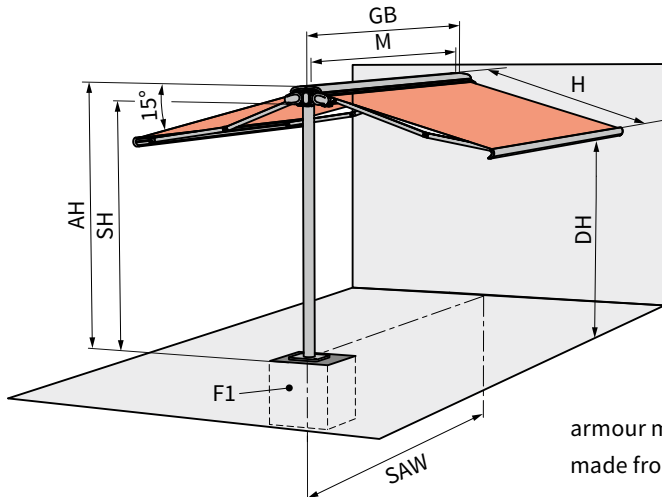
\* depends on the awning model

01  
02  
03  
04  
05  
06  
07  
08  
09  
10  
11  
12  
13  
14  
15  
16  
17  
18  
19  
20  
21  
22  
23



### Installation dimensions

syncra 2 fix with two markilux folding-arm awnings and wall fixture / single units (coupled units on request)

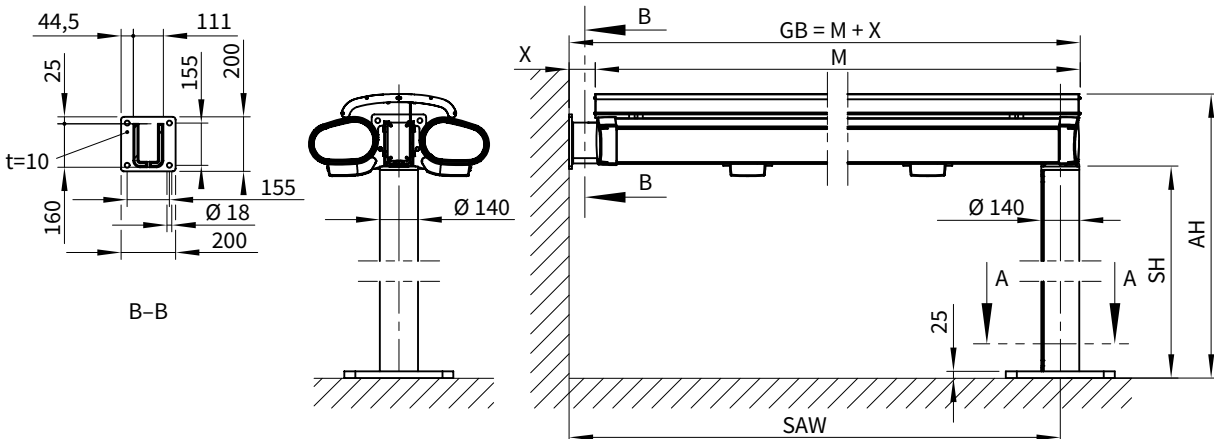


armour matting basket made from rebar matting Q188

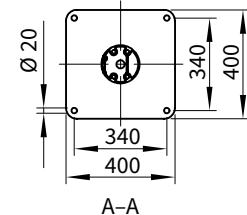
dimensions in cm

The following have to be prepared on site as per the drawing for every post:

- a concrete base of armoured concrete with a compressive strength of C25/30 (previously known as B25) using armour matting Q188 (F1)
- the base plate is to be fixed using Fischer marine-grade stainless steel anchor bolts FAZ II 16/50 and washers certified to DIN 9021 (or equivalent)
- take into account the bracket fixture range of each individual awning type when determining the post separation on site! The support posts of the syncra frame system cannot be fixed in this area. The post separation, centre to centre, can be moved inwards by up to 15% of the awning width: **minimum SAM = M - 15%**



	AH	SAM	GB	X	DH				
markilux 6000	3400	GB - 70	M + 80	80	2930	2790	2660	2520	2390
markilux 5010	3420		M + 90	90	2920	2780	2650	2510	2380
markilux 3300		3480	GB - 220	M + 120	120	-	-	-	-
markilux 990	GB - 70		M + 80	80	2970	2830	2700	2560	2430
markilux 1700 / 1700 stretch		-							
markilux 1710 / 1710 stretch		2430							
markilux 1600 / 1600 stretch / 1650		-							
markilux 1500	-	-	-	-	-	-	-	-	
					2000	2500	3000	3500	4000
					H				



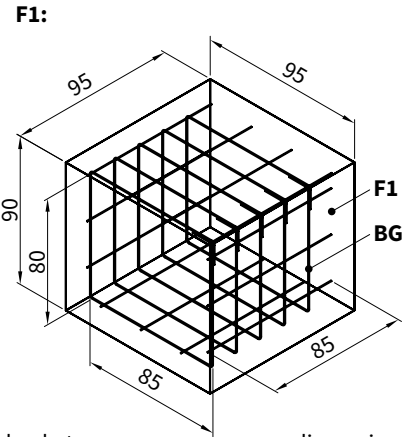
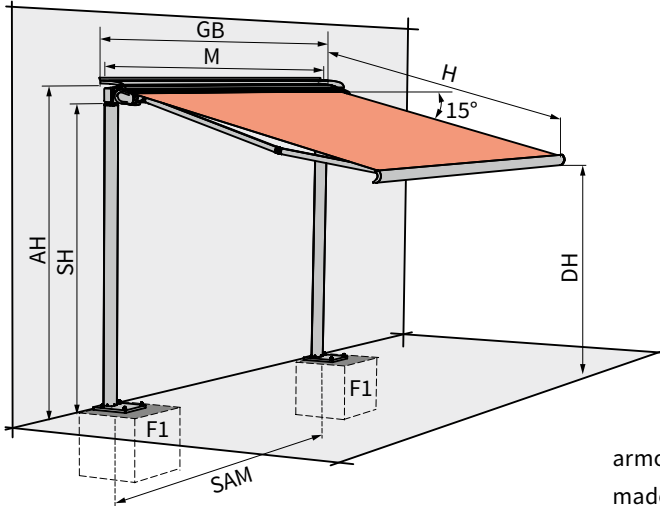
dimensions in mm

- M = awning width = order width of the folding-arm awning
- GB = overall width of the syncra unit\*
- H = projection\*
- AH = unit height\*
- DH = headroom\* (dimensions rounded)
- SAM = post separation, centre to centre\*
- F1 = concrete foundation with armour matting basket
- BG = armour matting basket
- t = thickness of the base plate
- X = distance from the outermost end of the awning to the edge of the substrate\*
- SH = post height = 3200 mm

\* depends on the awning model

# Installation dimensions

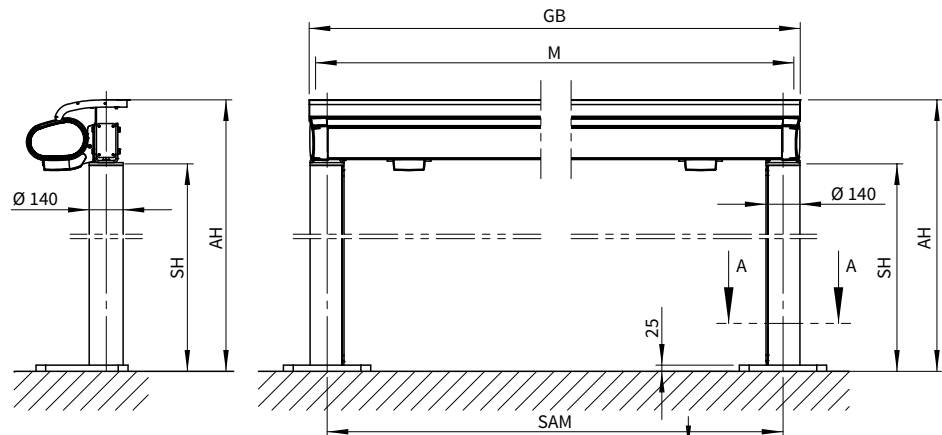
syncra 2 uno fix – with one markilux folding-arm awning / single unit



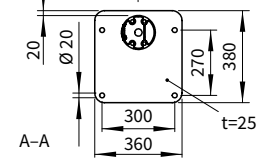
armour matting basket made from rebar matting Q188 dimensions in cm

The following have to be prepared on site as per the drawing for every post:

- a concrete base of armoured concrete with a compressive strength of C25/30 (previously known as B25) using armour matting Q188 (F1)
- the base plate is to be fixed using Fischer marine-grade stainless steel anchor bolts FAZ II 16/50 and washers certified to DIN 9021 (or equivalent)
- take into account the bracket fixture range of each individual awning type when determining the post separation on site! The support posts of the syncra frame system cannot be fixed in this area. The post separation, centre to centre, can be moved inwards by up to 15% of the awning width: **minimum SAM = M - 15%**



	AH	SAM	GB	DH				
markilux 6000	3400	M - 140	M	2930	2790	2660	2520	2390
markilux 5010								2510
markilux 3300	3420	M - 162		2920	2780	2650		-
markilux 990		M - 440						-
markilux 1700 / 1700 stretch								2430
markilux 1710 / 1710 stretch								-
markilux 1600 / 1600 stretch / 1650	3480	M - 140	2970	2830	2700	2560	2430	
markilux 1500							-	
				2000	2500	3000	3500	4000
				H				



dimensions in mm

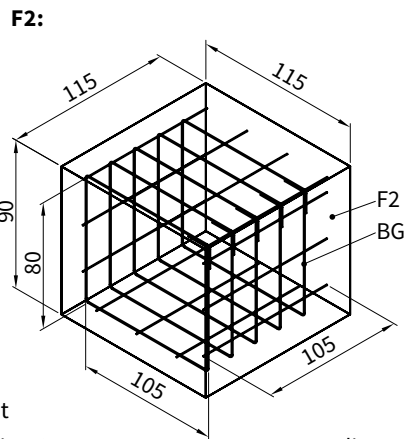
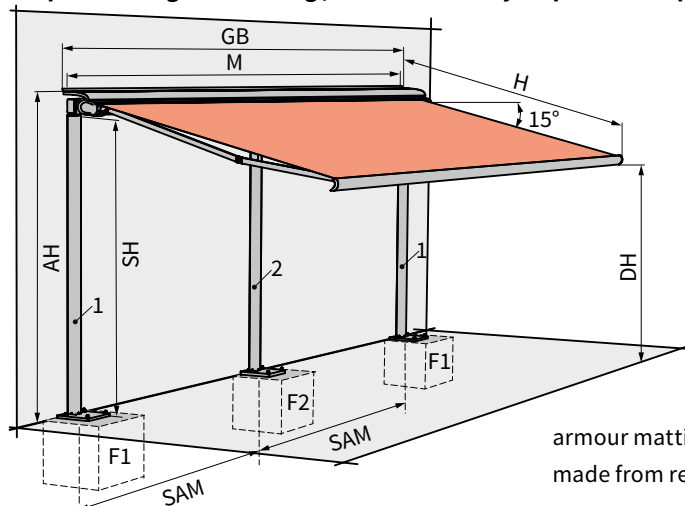
- M = awning width = order width of the folding-arm awning
- GB = overall width of the syncra unit\*
- H = projection\*
- AH = unit height\*
- DH = headroom\* (dimensions rounded)
- SAM = post separation, centre to centre\*
- F1 = outermost concrete base with armour matting basket (see F1: single units)
- BG = central concrete base with armour matting basket
- t = thickness of the base plate
- SH = post height = 3200 mm

\* depends on the awning model

01  
02  
03  
04  
05  
06  
07  
08  
09  
10  
11  
12  
13  
14  
15  
16  
17  
18  
19  
20  
21  
22  
23

### Installation dimensions syncra 2 uno fix with one markilux folding-arm awning /

coupled folding-arm awning / 2 or 3 fields may be possible depending on the awning model

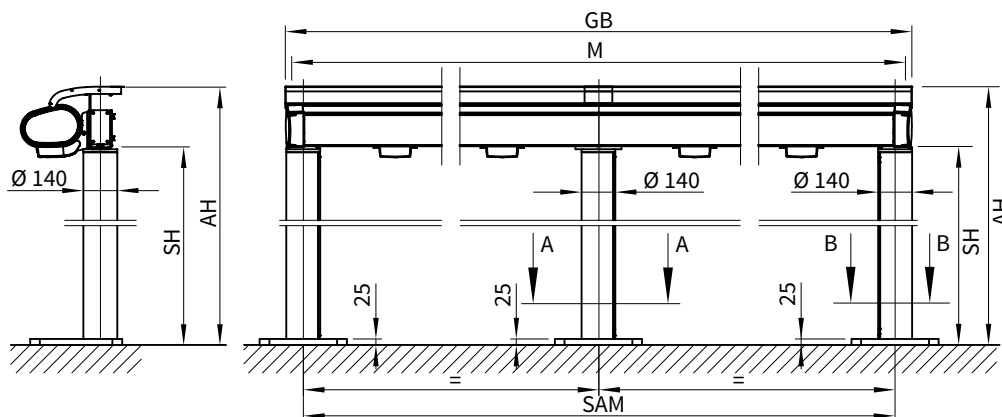


armour matting basket made from rebar matting Q188

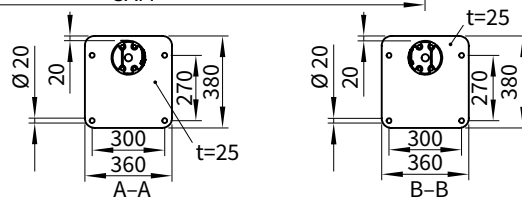
dimensions in cm

**The following have to be prepared on site as per the drawing for every post:**

- a concrete base of armoured concrete with a compressive strength of C25/30 (previously known as B25) for the outermost posts (F1, see single unit) and the central posts (F2) using armour matting Q188
- the base plates are to be fixed using Fischer marine-grade stainless steel anchor bolts FAZ II 16/50 and washers certified to DIN 9021 (or equivalent)
- take into account the bracket fixture range of each individual awning type when determining the post separation on site! The support posts of the syncra frame system cannot be fixed in this area. The post separation, centre to centre, can be moved inwards by up to 15% of the awning width: **minimum SAM = M - 15%**



	AH	SAM	GB	DH				
markilux 6000	3400	M - 140	M	2930	2790	2660	2520	2390
markilux 5010	3420			2920	2780	2650	2510	2380
markilux 3300		M - 162		-	-	-	2430	
markilux 1700	3480	M - 140		2970	2830	2700	2560	2430
markilux 1710				-	-	-	-	
markilux 1600 / 1650				-	-	-	-	
markilux 1500	-	-	-	-	-	-	-	
				2000	2500	3000	3500	4000
				H				



dimensions in mm

- M = awning width = order width of the folding-arm awning
- GB = overall width of the syncra unit\*
- H = projection\*
- AH = unit height\*
- DH = headroom\* (dimensions rounded)
- SAM = post separation, centre to centre\*
- F1 = outermost concrete base with armour matting basket (see F1: single units)
- F2 = central concrete base with armour matting basket
- BG = armour matting basket
- t = thickness of the base plate
- 1 = outer post
- 2 = central post
- SH = post height = 3200 mm

\* depends on the awning model